



3W-RGB LED 110L24

The 3W-RGB LED 110/24 is the new, Tiny , compact and powerful RGB-LED light with 110 lumen and a beam angle of 25°.

The compact LED-light ($\varnothing = 83$ mm) has a High quality stainless steel housing and is suitable for fresh water, pool water and sea water application .Equipped with a temperature control and a thermal protection, the LED light can also be installed dry. The life-time of these lights is up to 100,000 h.*

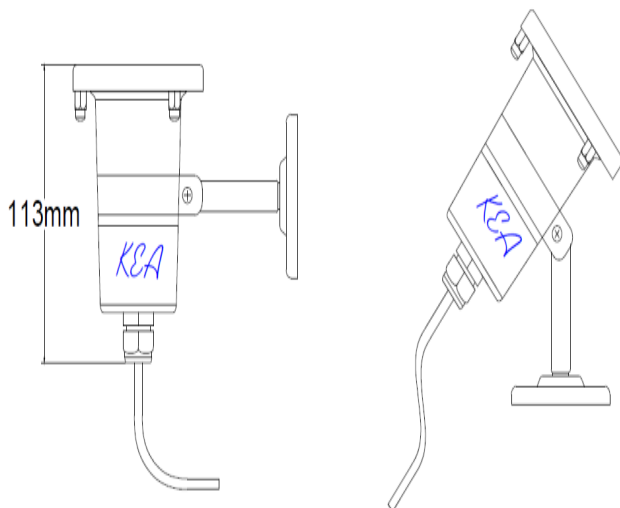
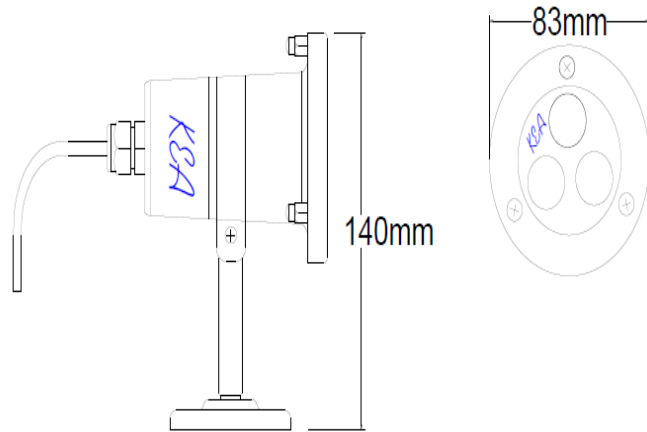
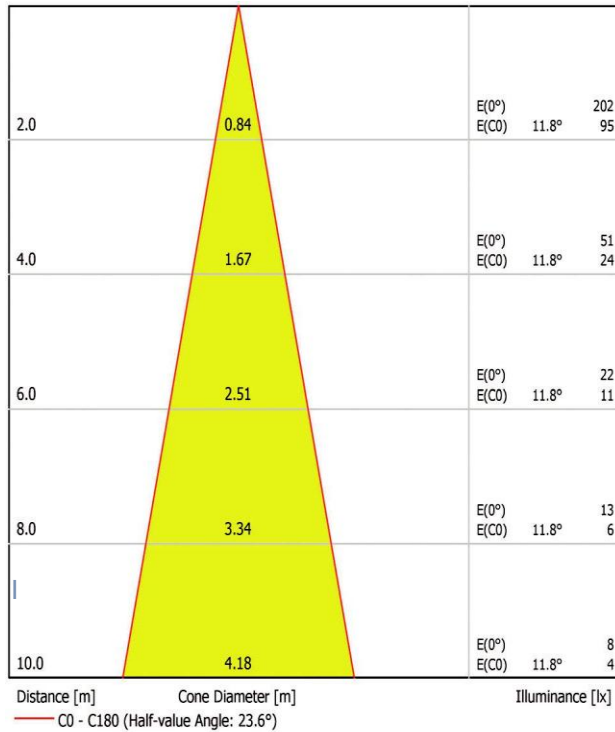
Product characteristics at a glance

- Energy efficient LED-RGB-light with bracket for ground installation and nozzle tube mounting.
- 110 Lumen with a beam angle of 25°, max. 6 Watt
- Temperature controlled high quality LED for an extra-long life of up to 100,000 h.*
- Wet and dry installation – water proof in accordance with IP68
- For fresh water, pool water and sea water



The variety of colour combinations and the stroboscope effect reveal their full effect in combination with dynamic

water effects which can be generated, for eg. , with the Vario-Switch or the Varionaut pumps. Together, they create completely new compositions on open spaces and in fountains.



3W-RGB 110/24	
Luminous flux all on [lm]	110
Luminous flux red [lm]	20
Luminous flux green [lm]	55
Luminous flux blue [lm]	35
Beam angle [°]	25
Energy efficiency category	A
Rated voltage [V/DC]	12-24
Power consumption [W]	5
Rated current [A]	0.2
Cable length [m]	1
Protection class	IP 68
Dimensions (Ø x h) [mm]	83*95
Material	Stainless steel
Weight [kg]	0.65